

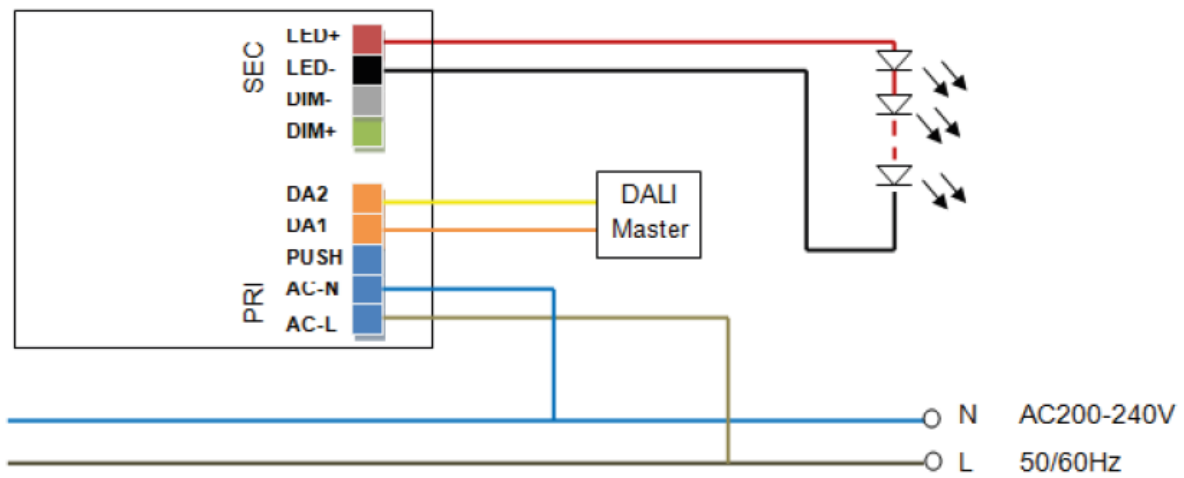
INTERLIGHT | DATASHEET IL-D29DALI2 / IL-D53DALI2

OUTPUT	Dimming range	DALI 1%-100%; Push-DIM 2%-100%, 0-10V: 10%-100%
	Flicker percentage <3%	
INPUT	AC Voltage range	200-240VAC
	Frequency range	47 ~ 63Hz
	Power factor	>0.95 at full power
Environment	Working Temp.	-20°C ~45°C
Storage temp.	Humidity	-40°C ~80°C
Connection	AC Connector	Push Type Terminal, Max. 1.5mm ² input cable cord
Others	Warranty	5 years
	Lifespan (hrs) @ ta=25°C	50000H
	DALI Standard	IEC 62386-101: 2014, IEC 62386- 102: 2014, IEC 62386-207: 2009, DALI-2
	Dimension L x W x H	125X76X30mm

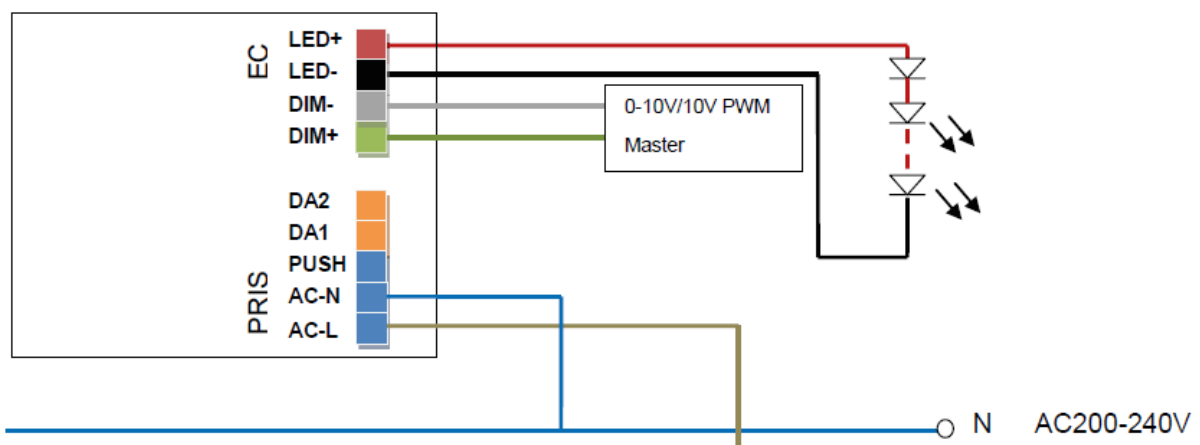


INTERLIGHT | DATASHEET WIRING DIAGRAM

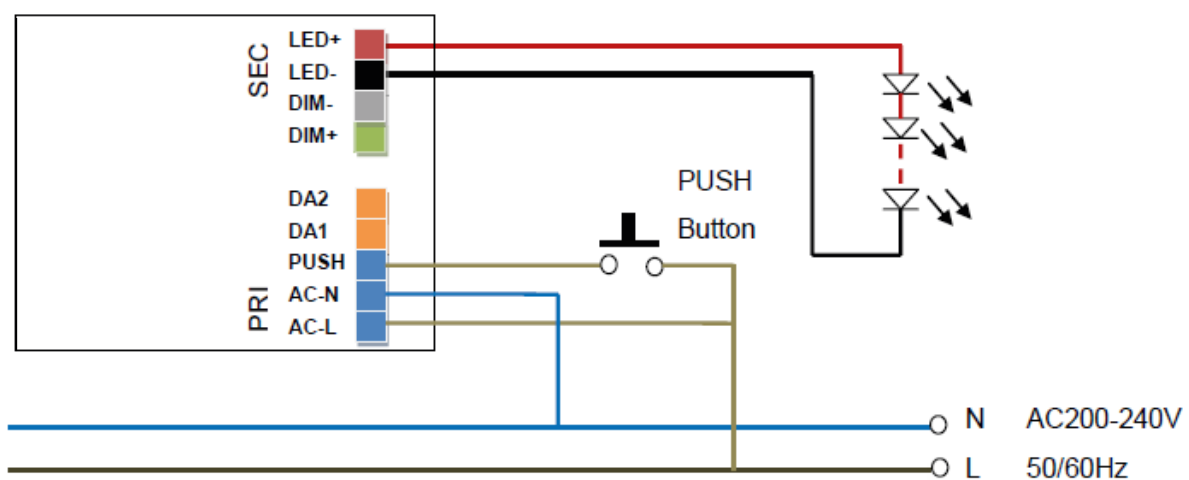
DALI



0-10V / 10V PWM



PUSH



INTERLIGHT | DATASHEET DIMENSIONS

IL-D53DALI2 (standard 650 mA)

DIP S.W.	1	2	3	4	5
650mA	-	-	-	-	-
700mA	ON	-	-	-	-
750mA	-	ON	-	-	-
800mA	-	-	ON	-	-
850mA	ON	-	ON	-	-
900mA	-	ON	ON	-	-
950mA	-	-	ON	ON	-
1000mA	ON	-	ON	ON	-
1050mA	-	ON	ON	ON	-
1100mA	ON	ON	ON	ON	-

IL-D29DALI2 (standard 250 mA)

DIP S.W.	1	2	3	4	5
250mA	-	-	-	-	-
300mA	ON	-	-	-	-
350mA	-	ON	-	-	-
400mA	ON	ON	-	-	-
450mA	-	-	ON	-	-
500mA	ON	-	ON	-	-
550mA	-	ON	ON	-	-
600mA	ON	ON	ON	-	-

